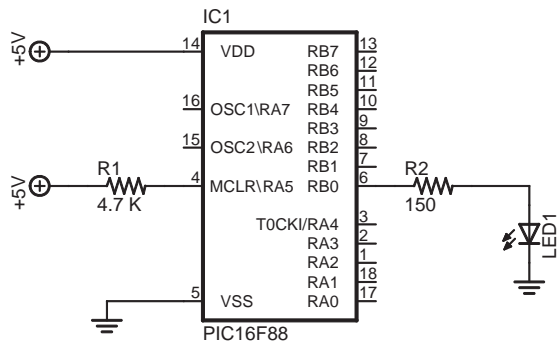
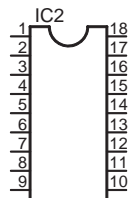


16F88 Schematic Layout



16F88 Physical Layout



blink1