

Cornerstone Electronics Technology and Robotics I Week 12 Series Circuits Tutorial

- Administration:
 - Prayer
- Electricity and Electronics, **Section 6.1**, Series Circuit Principles and Equations:
 - A series circuit is one with all the loads in a row, like links in a chain. There is only one path for the electrons to flow. If one of the resistors is removed, the current stops.
 - **Resistance in a Series Circuits:**
 - The total resistance in a series circuit is equal to the sum of all of the resistors.

$$R_T = R_1 + R_2 + R_3 + \dots + R_N$$

Where:

R_T = Total resistance

R_1 = Resistance of R_1

R_2 = Resistance of R_2

R_3 = Resistance of R_3

R_N = Resistance of R_N

N = The number of resistors in the series circuit.

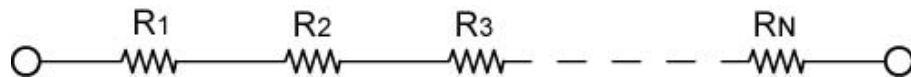


Figure 1

- More than one resistor in series can substitute for a resistor value that is unavailable.
- In a series circuit, the large resistor dominates if it is series with a small resistor.
- Complete Series Circuits Lab 1 – Series Resistors
- **Voltage in a Series Circuit:**
 - Kirchhoff's Voltage Law: The total voltage applied to a series circuit is equal to the total of the individual voltage drops across each resistor in the series circuit. (In more general terms, the algebraic sum of all voltages, both source and drops, around a closed loop is equal to zero.)
 - Mathematically:

$$V_T = V_1 + V_2 + V_3 + \dots + V_N, \text{ or}$$

$$V_T - V_1 - V_2 - V_3 - \dots - V_N = 0$$

Where:

V_T = Total voltage applied to the series circuit

V_1 = Voltage drop across R_1

V_2 = Voltage drop across R_2

V_3 = Voltage drop across R_3

V_N = Voltage drop across R_N

N = The number of resistors in the series

- Example of Voltage in a Series Circuit (Figure 2):
 - The voltage at Point D is 0 volts when both multimeter leads are connected to the same point.
 - Leaving the common lead at Point D, the voltage jumps to +10 V at Point A because the battery supplies the energy to increase the potential by +10 V.
 - There is a 2 V drop across R_1 (-2 V) causing the voltage at Point B to drop to +8 V.
 - Likewise, R_2 causes a further 3 V drop (-3 V) in the voltage bringing the voltage at Point C to +5 V.
 - Finally, R_3 drops the voltage 5 more volts (-5 V) to return the voltage back to 0 V at Point D.

$$V_T - V_1 - V_2 - V_3 = 0$$

$$10\text{ V} - 2\text{ V} - 3\text{ V} - 5\text{ V} = 0$$

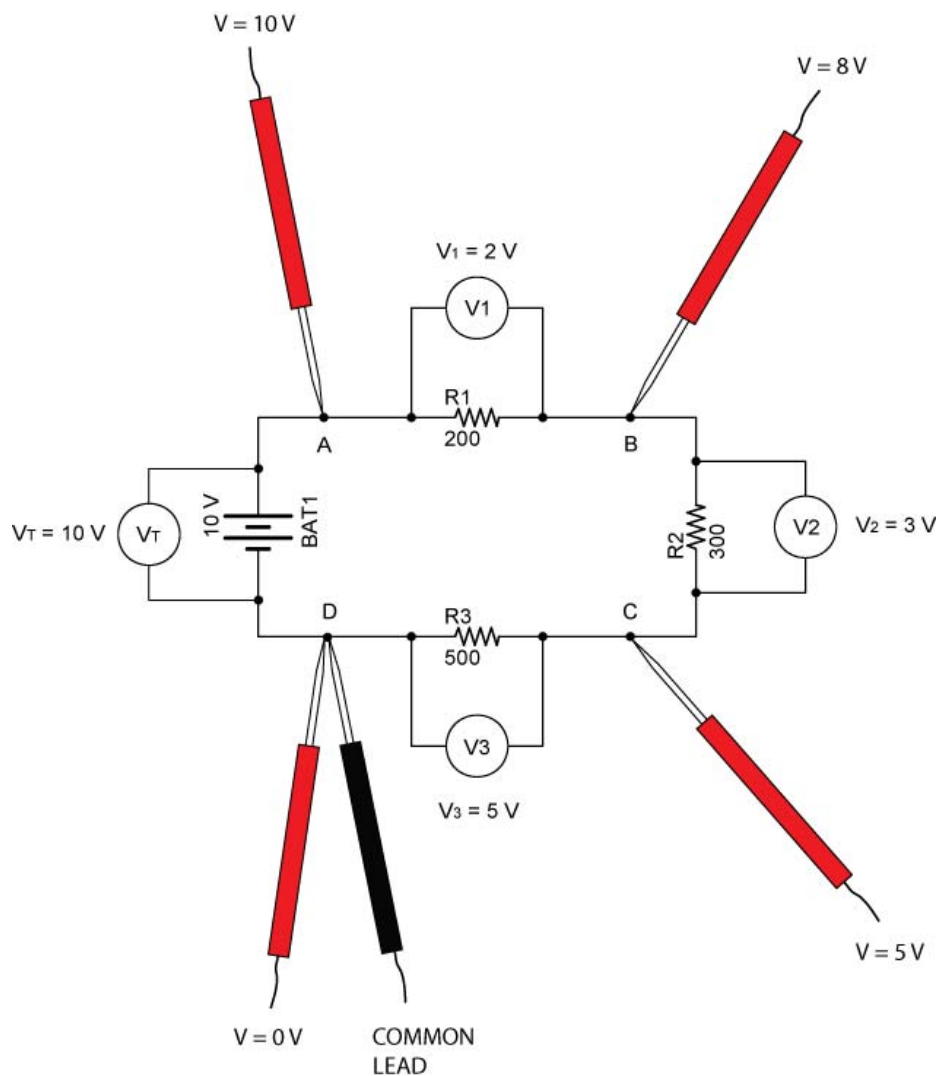


Figure 2

- Complete Series Circuits Lab 2 – Kirchhoff's Voltage Law

- **Current in a Series Circuit:**

- A series circuit provides only one path for the current so it must have the same value at any point in the circuit.
- Mathematically:

$$I_T = I_1 = I_2 = I_3 = \dots I_N$$

Where:

I_T = Total current

I_1 = Current through R_1

I_2 = Current through R_2

I_3 = Current through R_3

I_N = Current through R_N

N = The number of resistors in the series

- Example of Current in a Series Circuit (Figure 3):

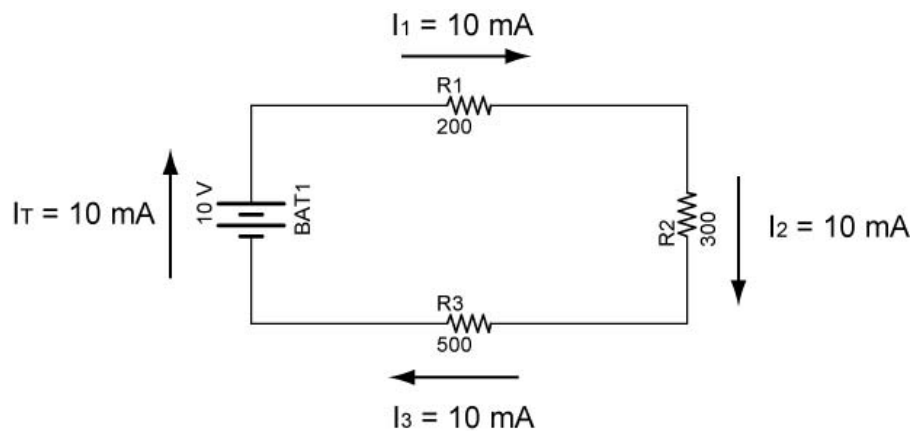


Figure 3

- Complete Series Circuits Lab 3 – Current in Series Circuits
- **Power in a Series Circuit:**
 - The total amount of power consumed in a series circuit is equal to the source voltage multiplied by the circuit current. The total power consumed is also equal to the sum of the power consumed by each resistor.
 - Mathematically:

$$P_T = P_1 + P_2 + P_3 + \dots + P_N$$

Where:

P_T = Total power consumed

P_1 = Power consumed by R_1

P_2 = Power consumed by R_2

P_3 = Power consumed by R_3

P_N = Power consumed by R_N

N = The number of resistors in the series circuit.

- Power also equals the product of the total voltage and the total current.

$$P_T = V_T \times I_T$$

Where:

P_T = Total power consumed

V_T = Total voltage applied to the series circuit

I_T = Total current

- Example of Power in a Series Circuit (Figure 4):

$$P_T = P_1 + P_2 + P_3$$

$$P_T = V_1 \times I_1 + V_2 \times I_2 + V_3 \times I_3$$

$$P_T = 2 \text{ V} \times 0.01 \text{ A} + 3 \text{ V} \times 0.01 \text{ A} + 5 \text{ V} \times 0.01 \text{ A}$$

$$P_T = 0.02 \text{ W} + 0.03 \text{ W} + 0.05 \text{ W}$$

$$P_T = 0.10 \text{ W}$$

Also,

$$P_T = V_T \times I_T$$

$$P_T = 10 \text{ V} \times 0.01 \text{ A}$$

$$P_T = 0.10 \text{ W}$$

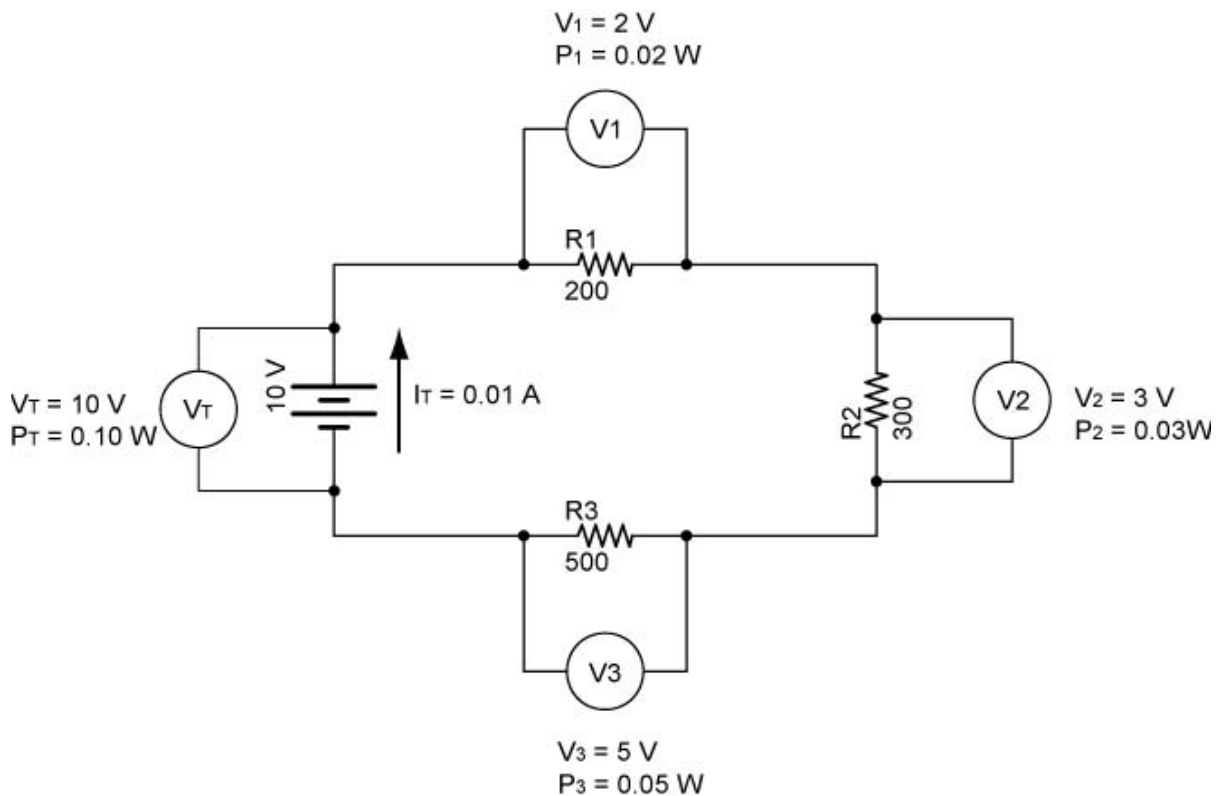


Figure 4

- Complete Series Circuits Lab 4 – Power in Series Circuits

- Electricity and Electronics, **Section 6.2**, Applications and Troubleshooting Series Circuits:

- Solving for Resistance, Voltage, and Current in a Series Resistor Circuits:

- Four equations are used to solve series resistor circuits. They are:

$$R_T = R_1 + R_2 + R_3 + \dots + R_N$$

$$V_T = V_1 + V_2 + V_3 + \dots + V_N$$

$$I_T = I_1 = I_2 = I_3 = \dots I_N$$

$$V = I \times R$$

$V = I \times R$ can be applied to the total circuit ($V_T = I_T \times R_T$) and to individual resistors ($V_1 = I_1 \times R_1$).

- A table will be used to help solve our circuits. To begin, a table as shown in Table 1 corresponds to the circuit in Figure 5:

	Resistance	Voltage	Current
R1	R1 = 200 Ω		
R2	R2 = 300 Ω		
R3	R3 = 500 Ω		
Total		V _T = 10 V	

Table 1

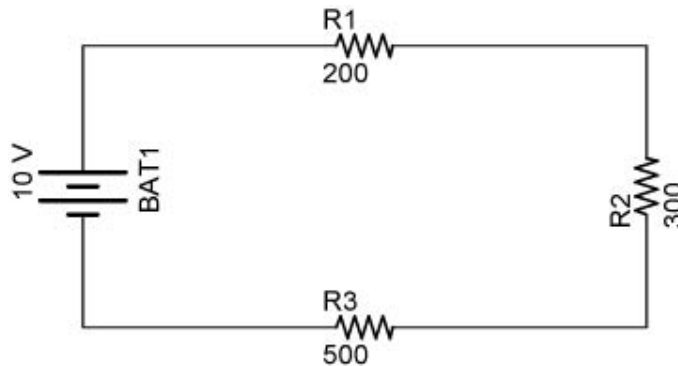


Figure 5

- Table 2 lists all of the unknowns that will be solved.

	Resistance	Voltage	Current
R1	R1 = 200 Ω	V1	I1
R2	R2 = 300 Ω	V2	I2
R3	R3 = 500 Ω	V3	I3
Total	R _T	V _T = 10 V	I _T

Table 2

- Step 1: Find R_T:

$$R_T = R_1 + R_2 + R_3$$

$$R_T = 200 \Omega + 300 \Omega + 500 \Omega$$

$$R_T = 1000 \Omega$$

See Table 3:

	Resistance	Voltage	Current
R1	R1 = 200 Ω	V1	I1
R2	R2 = 300 Ω	V2	I2
R3	R3 = 500 Ω	V3	I3
Total	R _T = 1000 Ω	V _T = 10 V	I _T

Table 3

- Step 2: Solve for I_T:

$$I_T = V_T / R_T$$

$$I_T = 10 \text{ V} / 1000 \Omega$$

$$I_T = 0.010 \text{ A or } 10 \text{ mA}$$

See Table 4:

	Resistance	Voltage	Current
R1	R1 = 200 Ω	V1	I1
R2	R2 = 300 Ω	V2	I2
R3	R3 = 500 Ω	V3	I3
Total	R _T = 1000 Ω	V _T = 10 V	I _T = 0.01 A

Table 4

- Step 3: Find I₁, I₂, and I₃.

$$I_T = I_1 = I_2 = I_3 = 0.010 \text{ A}$$

See Table 5:

	Resistance	Voltage	Current
R1	R1 = 200 Ω	V1	I1 = 0.01 A
R2	R2 = 300 Ω	V2	I2 = 0.01 A
R3	R3 = 500 Ω	V3	I3 = 0.01 A
Total	R _T = 1000 Ω	V _T = 10 V	I _T = 0.01 A

Table 5

- Step 4: Solve for V₁, V₂, and V₃.

$$V_1 = I_1 \times R_1$$

$$V_1 = 0.010 \text{ A} \times 200 \Omega$$

$$V_1 = 2 \text{ V}$$

$$V_2 = I_2 \times R_2$$

$$V_2 = 0.010 \text{ A} \times 300 \Omega$$

$$V_2 = 3 \text{ V}$$

$$V_3 = I_3 \times R_3$$

$$V_3 = 0.010 \text{ A} \times 500 \Omega$$

$$V_3 = 5 \text{ V}$$

See Table 6:

	Resistance	Voltage	Current
R1	R1 = 200 Ω	V1 = 2 V	I1 = 0.01 A
R2	R2 = 300 Ω	V2 = 3 V	I2 = 0.01 A
R3	R3 = 500 Ω	V3 = 5 V	I3 = 0.01 A
Total	R _T = 1000 Ω	V _T = 10 V	I _T = 0.01 A

Table 6

- Not every series circuit to be solved will have the source voltage and all of the resistor values. To solve the unknowns for each circuit, use the four equations in bold above in whatever the order is necessary for the solution.
- Since all of the resistances, voltages, and currents are solved in the present problem, the power can now be calculated.

- Solving for Power in a Series Resistor Circuits:
 - Two equations are used to solve for power in a series resistor circuit. They are:

$$P_T = P_1 + P_2 + P_3 + \dots + P_N$$

$$P = V \times I$$

$P = V \times I$ can be applied to the total circuit ($P_T = V_T \times I_T$) and to individual resistors ($P_1 = V_1 \times I_1$).

- A column for power will be added to the table already used to solve our circuit.

	Resistance	Voltage	Current	Power
R1	R1 = 200 Ω	V1 = 2 V	I1 = 0.01 A	P1
R2	R2 = 300 Ω	V2 = 3 V	I2 = 0.01 A	P2
R3	R3 = 500 Ω	V3 = 5 V	I3 = 0.01 A	P3
Total	R _T = 1000 Ω	V _T = 10 V	I _T = 0.01 A	P _T

Table 7

- Step 5: Solve for P_1 , P_2 , P_3 , and P_T .

$$P_1 = V_1 \times I_1$$

$$P_1 = 2 \text{ V} \times 0.010 \text{ A}$$

$$P_1 = 0.020 \text{ W}$$

$$P_2 = V_2 \times I_2$$

$$P_2 = 3 \text{ V} \times 0.010 \text{ A}$$

$$P_2 = 0.030 \text{ W}$$

$$P_3 = V_3 \times I_3$$

$$P_3 = 5 \text{ V} \times 0.010 \text{ A}$$

$$P_3 = 0.050 \text{ W}$$

$$P_T = P_1 + P_2 + P_3$$

$$P_T = 0.020 \text{ W} + 0.030 \text{ W} + 0.050 \text{ W}$$

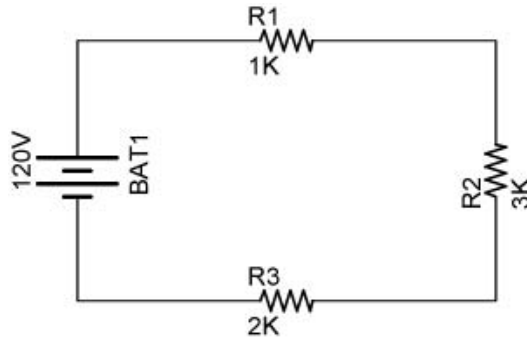
$$P_T = 0.100 \text{ W}$$

See Table 8:

	Resistance	Voltage	Current	Power
R1	R1 = 200 Ω	V1 = 2 V	I1 = 0.01 A	P1 = 0.02 W
R2	R2 = 300 Ω	V2 = 3 V	I2 = 0.01 A	P2 = 0.03 W
R3	R3 = 500 Ω	V3 = 5 V	I3 = 0.01 A	P3 = 0.05 W
Total	R _T = 1000 Ω	V _T = 10 V	I _T = 0.01 A	P _T = 0.10 W

Table 8

- Example Problem 1:
 - Solve for all of the unknowns in the following circuit. Fill in each unknown in the table below the circuit.



	Resistance	Voltage	Current	Power
R ₁	R ₁ = 1K Ω			
R ₂	R ₂ = 3K Ω			
R ₃	R ₃ = 2K Ω			
Total		V _T = 120 V		

- Remember:

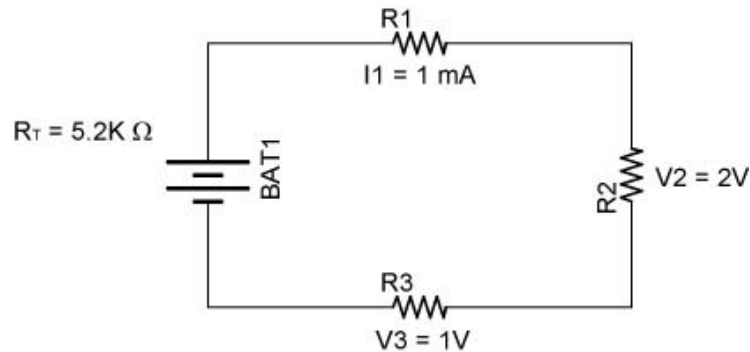
$$R_T = R_1 + R_2 + R_3 + \dots + R_N$$

$$V_T = V_1 + V_2 + V_3 + \dots + V_N$$

$$I_T = I_1 = I_2 = I_3 = \dots I_N$$

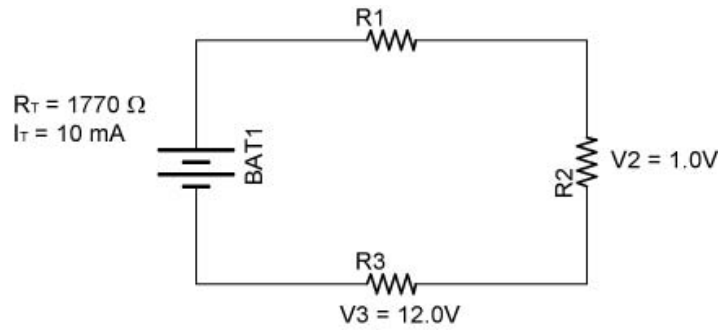
$$V = I R$$

- Example Problem 2:
 - Solve for all of the unknowns in the following circuit. Fill in each unknown in the table below the circuit.



	Resistance	Voltage	Current	Power
R ₁			I ₁ = 0.001 A	
R ₂		V ₂ = 2V		
R ₃		V ₃ = 1V		
Total	R _T = 5.2k Ω			

- Example Problem 3:
 - Solve for all of the unknowns in the following circuit. Fill in each unknown in the table below the circuit.



	Resistance	Voltage	Current	Power
R ₁				
R ₂		V ₂ = 1V		
R ₃		V ₃ = 12V		
Total	R _T = 1,770 Ω		I _T = 0.01 A	

- Remember:

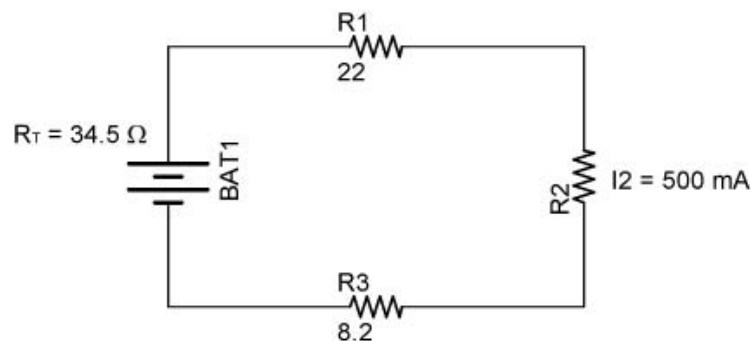
$$R_T = R_1 + R_2 + R_3 + \dots + R_N$$

$$V_T = V_1 + V_2 + V_3 + \dots + V_N$$

$$I_T = I_1 = I_2 = I_3 = \dots = I_N$$

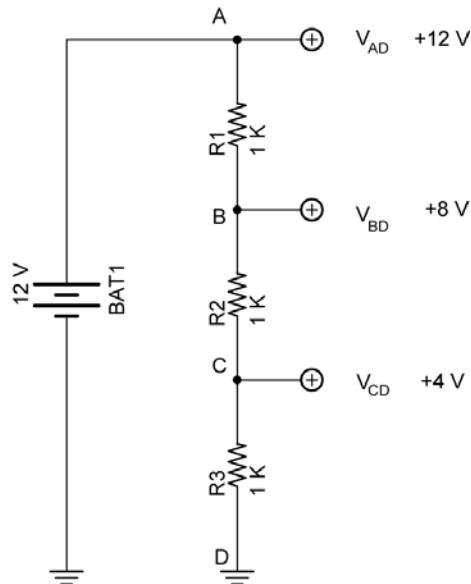
$$V = I R$$

- Example Problem 4:
 - Solve for all of the unknowns in the following circuit. Fill in each unknown in the table below the circuit.



	Resistance	Voltage	Current	Power
R ₁	R ₁ = 22 Ω			
R ₂			I ₂ = 0.5 A	
R ₃	R ₃ = 8.2 Ω			
Total	R _T = 34.5 Ω			

- Suggested Student Activity Sheets: 6-1 and 6-2
- Voltage Dividers:
 - Series resistors can be used to divide a voltage into smaller voltages. For example, the following series resistors divide a 12 volt source into 12 volts, 8 volts, and 4 volts using the same value for each resistor. Notice that we are not measuring voltages across each resistor, but voltages from a point, e.g. B (V_{BD}) to the ground point D. (The voltage drop across each individual resistor is 4 volts.)



- Perform Series Circuits Lab 5 – Voltage Dividers
- See applets:
 - <http://www.falstad.com/circuit/e-voltdivide.html>
 - <http://hyperphysics.phy-astr.gsu.edu/hbase/electric/voldiv.html>
- Related web sites:
 - <http://people.clarkson.edu/~svoboda/eta/designLab/VoltageDividerDesign.html>.
 - http://www.physics247.com/solved_problems/basic_circuits.php
- Troubleshooting a Series Circuit Using a Voltmeter:
 - Set up examples in the text.
- Fundamental equations for electrical circuits according to Darren Ashby, *Electrical Engineering 101*:
 - Ohm's Law
 - Voltage divider rule
 - Capacitors impede changes in voltage
 - Inductors impede changes in current
 - Series and parallel resistors
 - Thevenin's theorem

Electronics Technology and Robotics I Week 12

Series Circuits Lab 1 – Series Resistors

- **Purpose:** The purpose of this lab is to verify, by experiment, the formula for total resistance for resistors in series.
- **Apparatus and Materials:**
 - 1 – Solderless Breadboard with 9 V Supply
 - 1 – Digital Multimeter
 - 1 – 220 Ohm Resistor
 - 1 – 330 Ohm Resistor
 - 1 – 470 Ohm Resistor
 - 1 – 470 Ohm Resistor
 - 1 – 1 K Ohm Resistor
 - 1 – 2.2 K Ohm Resistor
- **Procedure:**
 - Total Resistance of Series Resistors Using Ohm Meter:
 - Wire the series resistor network in Figure 1.
 - Measure the resistance of each resistor and record.
 - Add the individual resistances to determine the total resistance of the network.
 - Check the formula $R_T = R_1 + R_2 + R_3 + R_4 + R_5$.
 - Now measure the total resistance of the resistor network and record.

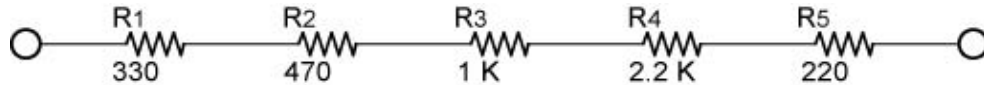


Figure 1

- Total Resistance of Series Resistors Using Ohm's Law:
 - Connect a 9 V battery to the resistor network as shown in Figure 2.

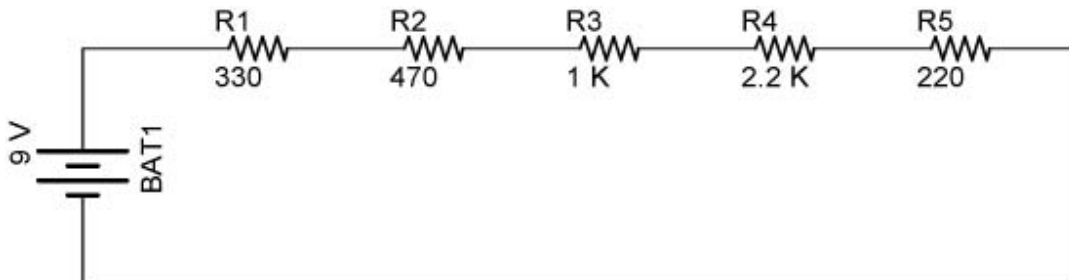


Figure 2

- Measure the source voltage V_T and the current I_T through the series resistor network.
- Knowing V_T and I_T , calculate the total resistance R_T using Ohm's Law.

- **Results:**

Resistor	Resistors Nominal Value (Ω)	Resistors Measured Value (Ω)	Total Resistance Measured	Total Resistance Ohm's Law
R1	R1 = 220 Ω			
R2	R2 = 330 Ω			
R3	R3 = 470 Ω			
R4	R4 = 1K Ω			
R5	R5 = 2.2K Ω			
	$R_T = 4,220$	$R_T =$	$R_T =$	$R_T =$

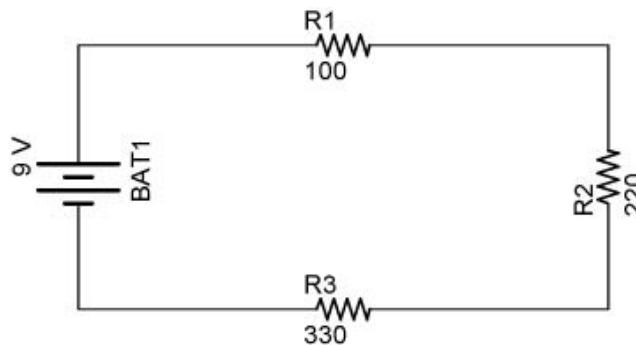
- **Conclusions:**

- Do the four values of R_T equal one another? Explain any discrepancies.

- If a 1 M Ohm resistor is in series with a 100 Ohm resistor, which resistor affects the total resistance more?

Electronics Technology and Robotics I Week 12 Series Circuits Lab 2 – Kirchhoff's Voltage Law

- **Purpose:** The purpose of this lab is to experimentally verify Kirchhoff's Voltage Law for a series resistor circuit.
- **Apparatus and Materials:**
 - 1 – Solderless Breadboard with 9 V Power Supply
 - 1 – Digital Multimeter
 - 1 – 100 Ohm Resistor
 - 1 – 220 Ohm Resistor
 - 1 – 330 Ohm Resistor
- **Procedure:**
 - Wire the following series circuit and measure the voltage drop across each resistor.
 - Compare the sum of the voltage drops with the voltage source:



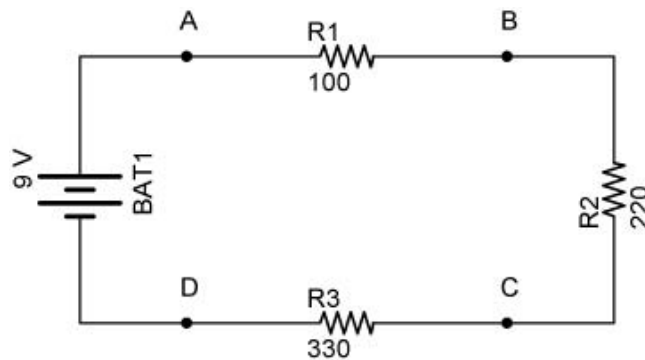
- **Results:**

	Voltage
V_1	
V_2	
V_3	_____
$V_1 + V_2 + V_3$	
V_{SOURCE}	

- **Conclusions:**
 - Does $V_{SOURCE} = V_1 + V_2 + V_3$?
 - Or put another way, does $V_{SOURCE} - V_1 - V_2 - V_3 = 0$? Explain any discrepancies.

Electronics Technology and Robotics I Week 12 Series Circuits Lab 3 – Current in Series Circuits

- **Purpose:** The purpose of this lab is to verify, by experiment, the formula for total current for resistors in series.
- **Apparatus and Materials:**
 - 1 – Solderless Breadboard with 9 V Power Supply
 - 1 – Digital Multimeter
 - 1 – 100 Ohm Resistor
 - 1 – 220 Ohm Resistor
 - 1 – 330 Ohm Resistor
- **Procedure:**
 - Using the same circuit from Lab 2, measure and record the current at each Point A - D.



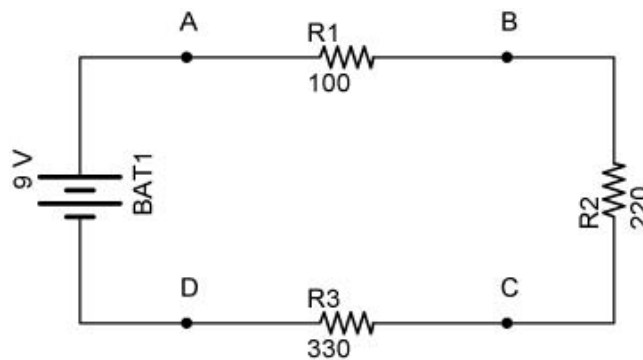
- **Results:**

	Current (mA)
I_A	
I_B	
I_C	
I_D	

- **Conclusions:**
 - How do the 4 current readings relate to one another?

Electronics Technology and Robotics I Week 12 Series Circuits Lab 4 – Power in Series Circuits

- **Purpose:** The purpose of this lab is to verify, by experiment, that the total power consumed in series circuit is equal to the sum of the power consumed by each resistor.
- **Apparatus and Materials:**
 - 1 – Solderless Breadboard with 9 V Power Supply
 - 1 – Digital Multimeter
 - 1 – 100 Ohm Resistor
 - 1 – 220 Ohm Resistor
 - 1 – 330 Ohm Resistor
- **Procedure:**
 - Calculate the power for each resistor and then the total power consumed for the following circuit:



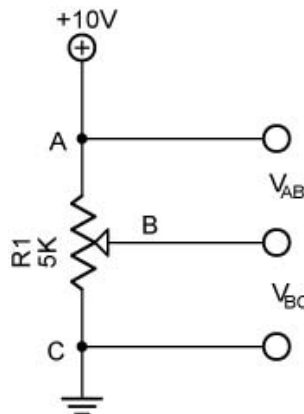
• **Results:**

Resistor	Voltage (V)	Current (A)	Power (W)
R1 = 100 Ω	V1 =	I1 =	P1 =
R2 = 220 Ω	V2 =	I2 =	P2 =
R3 = 330 Ω	V3 =	I3 =	P3 =
			$P_1 + P_2 + P_3 =$
	$V_T =$	$I_T =$	$P_T =$

• **Conclusions:**

Electronics Technology and Robotics I Week 12 Series Circuits Lab 5 – Voltage Dividers

- **Purpose:** The purpose of this lab is to verify, by experiment, that t
- **Apparatus and Materials:**
 - 1 – Solderless Breadboard with 10 V Power Supply
 - 2 – Digital Multimeters
 - 1 – 5 K Ohm Potentiometer
 - Several 1 K Ohm Resistors
- **Procedure:**
 - Using 1 k resistors, design and build a voltage divider on your breadboard that will divide your source voltage (10 V) into 10 V, 7.5 V, 5 V, and 2.5 V. Calculate the voltage with respect to ground at each resistor connection. Then measure and record the voltage with respect to ground at each resistor connection.
 - Potentiometers can be used as voltage dividers. Wire the circuit below then measure and record the voltmeter readings V_{AB} and V_{BC} as you adjust the potentiometer. Take 3 readings.



- **Results:**
 - Voltage Divider with 1 K Resistors:

Point	Calculated Voltage	Measured Voltage
A		
B		
C		
D		

- Potentiometer as a Voltage Divider:

	Reading 1	Reading 2	Reading 3
V_{AB}			
V_{BC}	_____	_____	_____
Total			

- **Conclusions:**

- In the voltage divider using 1 K resistors, explain any discrepancies between the calculated and measured voltages.
- In the potentiometer experiment, are the sums of $V_{AB} + V_{BC}$ nearly consistent?
- Do the sums of $V_{AB} + V_{BC}$ nearly equal the source voltage (10 V). Explain any discrepancies.