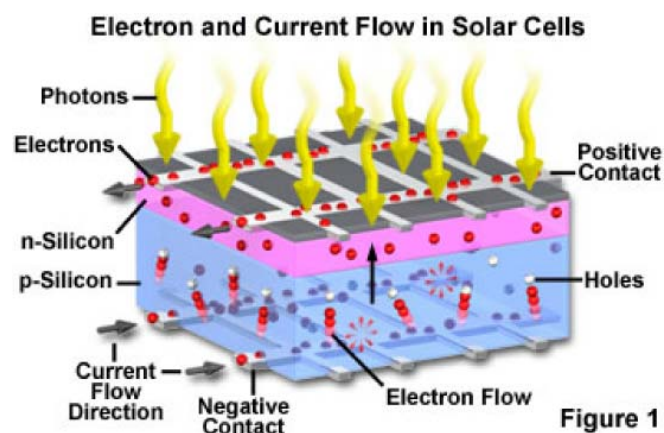
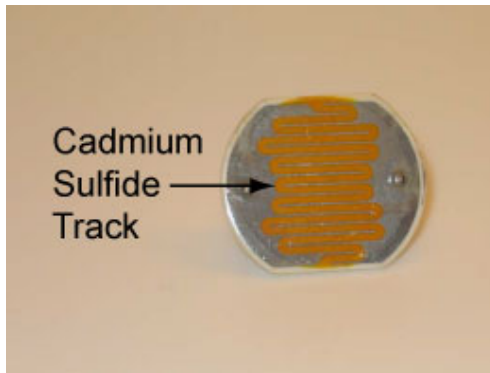


## Cornerstone Electronics Technology and Robotics I Week 11 Other Sources of Electrical Energy and Photoresistors

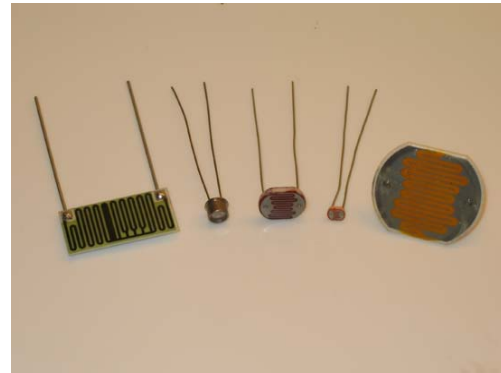
- Administration:
  - Prayer
  - Turn in quiz
- Review the six basic sources of electricity or electromotive force:
  - Friction (covered in Week 1, Statics)
  - Chemical Action (covered in Week 10, Batteries)
  - Light (this week's lesson)
  - Heat (this week's lesson)
  - Pressure (this week's lesson)
  - Magnetism (covered in Week 17)
- Electricity and Electronics, **Section 5.2**, Other Sources of Electrical Energy:
  - **Electrical Energy from Light:**
    - Two forms of solar energy conversion:
      - Solar thermal, that is, thermal systems (hot water, pool heaters) produce heat from the sun's radiation at 40% efficiency.
      - Photovoltaic (photo = light; voltaic = produces voltage) systems convert light directly into electricity using semiconductor technology at about 10% efficiency.
        - As long as there is light flowing into the cells, there are electrons flowing out of the cells. The cells do not "use up" its electrons and lose power, like a battery. It is just a converter, changing one kind of energy (sunlight) into another (flowing electrons or electrical). For every electron that flows out of the wire connected to the front of a cell, there is another electron flowing into the back from the other wire.
        - Demonstrate using a 10 watt solar panel.
        - Each cell only produces about  $\frac{1}{2}$  volt, and a module usually needs to charge a 12 volt battery or to run motors. A typical module has 36 cells connected in series to increase the voltage. 36 times  $\frac{1}{2}$  volt equals 18 volts. However, the voltage is reduced as the cells get hot in the sun and 12 volt batteries typically need about 14 volts for a charge, so the 36 cell module has become the standard for the solar battery charger industry.



- **Photoelectric Control:** Photoresistors that are used for photoelectric control are not a source of electrical energy, but a way of controlling current:
  - Photoresistors change their resistance in response to the amount of light shining on them.
  - More light means less resistance.
  - Also called Cds photocells or simply photocells
  - Samples:



**Photoresistor or Cds Photocell**

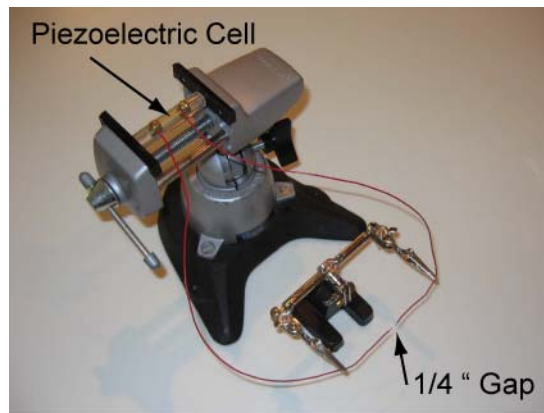


**Assortment of Photoresistors**

- Useful for light seeking (photovore) robots, color sensors, and also as an optical switch
  - Photovore robot video: [http://www.youtube.com/watch?v=N\\_X4\\_VVxOrE](http://www.youtube.com/watch?v=N_X4_VVxOrE)
  - Color sensors reference: [http://www.societyofrobots.com/sensors\\_color.shtml](http://www.societyofrobots.com/sensors_color.shtml)
  - Optical switch: Perform Other Electrical Sources and Photoresistors Lab 1 - Photoresistors
- Perform Other Electrical Sources and Photoresistors Lab 2 – Balanced Brightness Circuit
- **Electrical Energy from Heat:**
  - Thermocouple
    - When two dissimilar metals in contact with each other are heated, a potential difference (voltage) develops between the metals.
    - Applications:
      - Demonstrate K-type thermocouple thermometers (Taylor and Metex)
      - Temperature probe in an industrial furnace
      - Pilot light safety valve
    - Perform Other Electrical Sources and Photoresistors Lab 3 – Thermocouples

- **Electrical Energy from Mechanical Pressure**

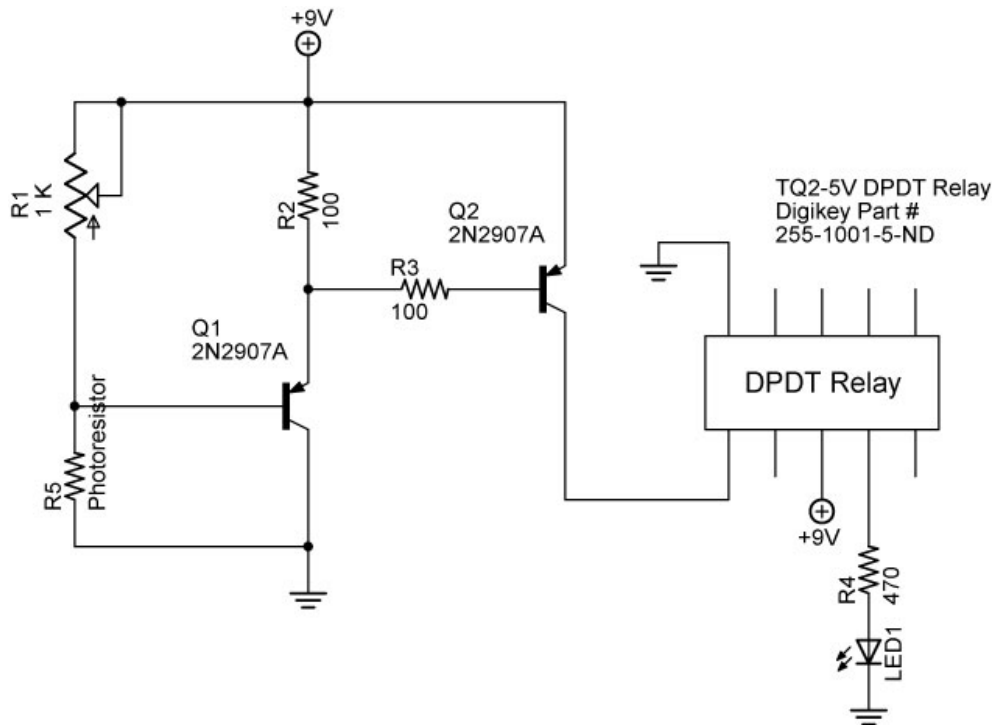
- Piezoelectric effect: Creating a potential difference (voltage) from the mechanical distortion of a crystal.
- Applications:
  - Crystal microphone
  - Phonograph needle pickup
  - Engine knock sensor
- Demonstrate piezoelectric cell (WINSKO Part # GS-711, see: <http://www.winsco.com/products/gen science.htm>)



- Fuel Cell:
  - A fuel cell is an electrochemical device that combines hydrogen and oxygen to produce electricity, with water and heat as its by-product.
  - As long as fuel is supplied, the fuel cell will continue to generate power.
  - Since the conversion of the fuel to energy takes place via an electrochemical process, not combustion, the process is clean, quiet and highly efficient – two to three times more efficient than fuel burning.
  - Efficiency, theoretically 100%
  - Applications: See: <http://www.fuelcells.org/basics/apps.html>
  - Demonstration using H<sub>2</sub> fuel cell car
- Electricity from Magnetism
  - Generators convert rotating mechanical energy into electrical energy through magnetism.
  - Demonstrate handheld generator.
  - Covered in more detail in Week 17.
- Related web sites:
  - [http://www.allaboutcircuits.com/vol\\_1/chpt\\_11/4.html](http://www.allaboutcircuits.com/vol_1/chpt_11/4.html)
  - <http://alternative-energy-search-engine-swicki.eurekster.com/>
  - [http://www.freesunpower.com/solar\\_simulator.php](http://www.freesunpower.com/solar_simulator.php)
  - [http://www.societyofrobots.com/schematics\\_photoresistor.shtml](http://www.societyofrobots.com/schematics_photoresistor.shtml)

## Electronics Technology and Robotics I Week 11 Other Sources and Photoresistors Lab 1 – Photoresistors

- **Purpose:** The purpose of this lab is to acquaint the student with:
  - Photoresistor and how their resistance varies at different light levels and
  - A practical application for a photoresistor
- **Apparatus and Materials:**
  - 1 – Solderless Breadboard with 9 V Power Supply
  - 1 – Digital Multimeter
  - 3 – Cds photocells
  - 1 – 1 K Tripot
  - 2 – 100 Ohm Resistors
  - 1 – 470 Ohm Resistor
  - 2 – 2N2907A PNP Transistors
  - 1 – LED
  - 1 – DPDT Relay (Digikey # 255-1001-5-ND)
- **Procedure:**
  - Using the DMM, measure and record the maximum and minimum resistances for 3 photoresistors.
  - Wire the following photoresistor control circuit using a photoresistor as the sensor:



- Using a photoresistor, design a light controlled circuit to vary the brightness of an LED. Wire the circuit on your breadboard and draw the schematic in the results. Remember, 9 volts applied directly to an LED will burn it out.

- **Results:**

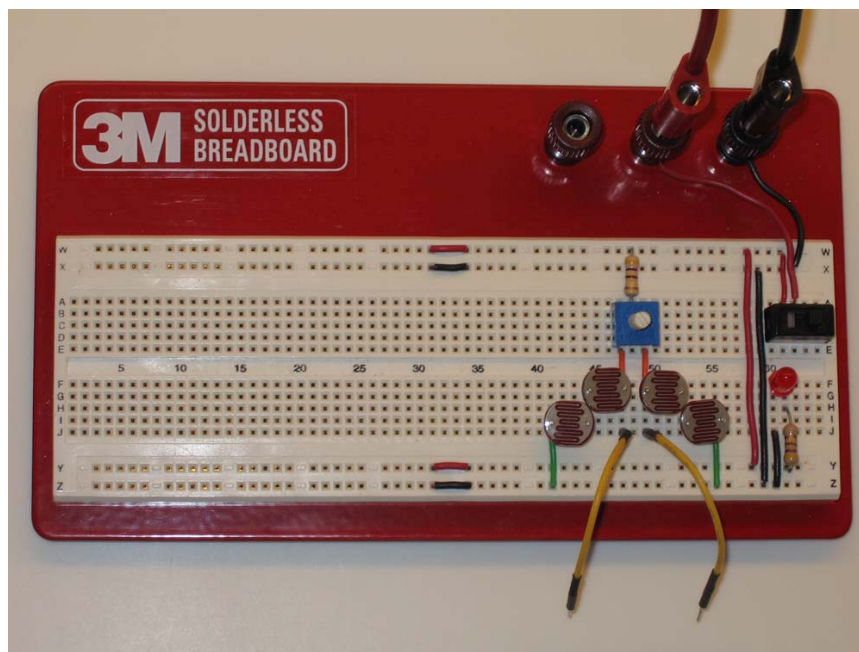
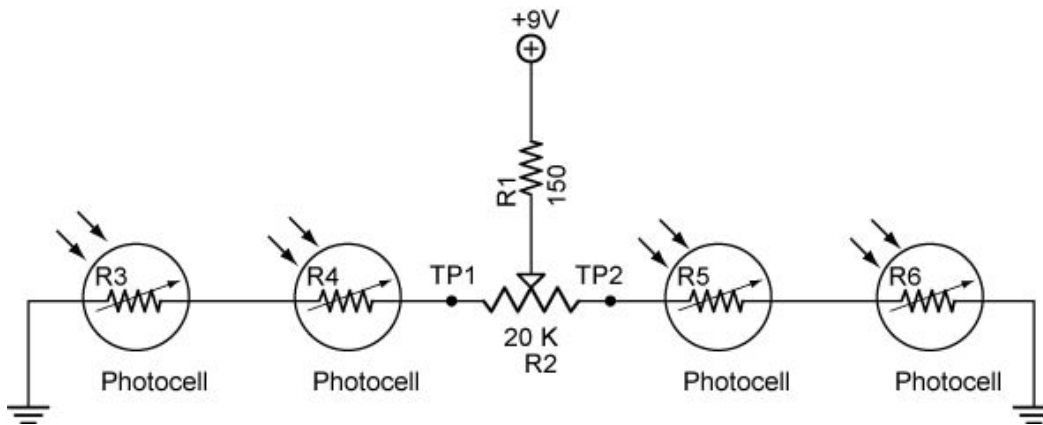
- Cds Photocell Resistances:

<b>Cds Photocell</b>	<b>Minimum Resistance</b>	<b>Maximum Resistance</b>
1		
2		
3		

- Schematic of Variable Brightness LED Circuit:

## Electronics Technology and Robotics I Week 11 Other Sources and Photoresistors Lab 2 – Balanced Brightness Circuit

- **Purpose:** The purpose of this lab is to acquaint the student with
- **Apparatus and Materials:**
  - 1 – Solderless Breadboard with 9 V Power Supply
  - 1 – Digital Multimeter
- **Procedure:**
  - Photoresistors are aligned in pairs so it can detect a wider area than a single photoresistor.
  - Build the following balanced brightness-sensing circuit that will be used as the sensing circuit for Sandwich, the line following robot.



**Balanced Brightness Circuit Schematic and Layout**

- Measure the voltages at Test Points 1 and 2.
- Using ambient lighting, adjust  $R_2$  to equalize the voltages at Test Points 1 and 2.
- Now take a flashlight and shine it over each pair of photocells and measure the voltage differential between Test Points 1 and 2. Shield the other pair of photocells from the flashlight.
- The variation of the voltage at the test points will be critical for Sandwich to follow a line.

- **Results:**

Condition	Voltage at Test Point 1	Voltage at Test Point 2	Difference
Equal lighting on photocells			
Bright light on $R_3$ and $R_4$			
Bright light on $R_5$ and $R_6$			

- **Conclusions:**

- What is the purpose of the 470 ohm resistor?

**Electronics Technology and Robotics I Week 11**  
**Other Sources and Photoresistors Lab 3 – Thermocouples**

- **Purpose:** The purpose of this lab is to acquaint the student with the basic construction of a thermocouple.
  
- **Apparatus and Materials:**
  - 1 – Digital Multimeter
  - 1 – Piece of Copper Wire
  - 1 – Piece of Steel Wire
  - 1 – Pair of Pliers
  - 1 – Match or Gas Lighter
  
- **Procedure:**
  - Twist the copper and steel wires together.
  - Connect the multimeter leads to the two twisted wires. Hold the steel wire as shown to protect the positive multimeter lead.
  - Measure and record the voltage before heat is applied.
  - Apply the flame to the far end of the twisted wires to protect the negative multimeter lead. Record the voltage output of this thermocouple as heat is applied and after cool down.



- **Results:**

Condition	Voltage
Before Heat	
Heat Applied	
After Cool Down	